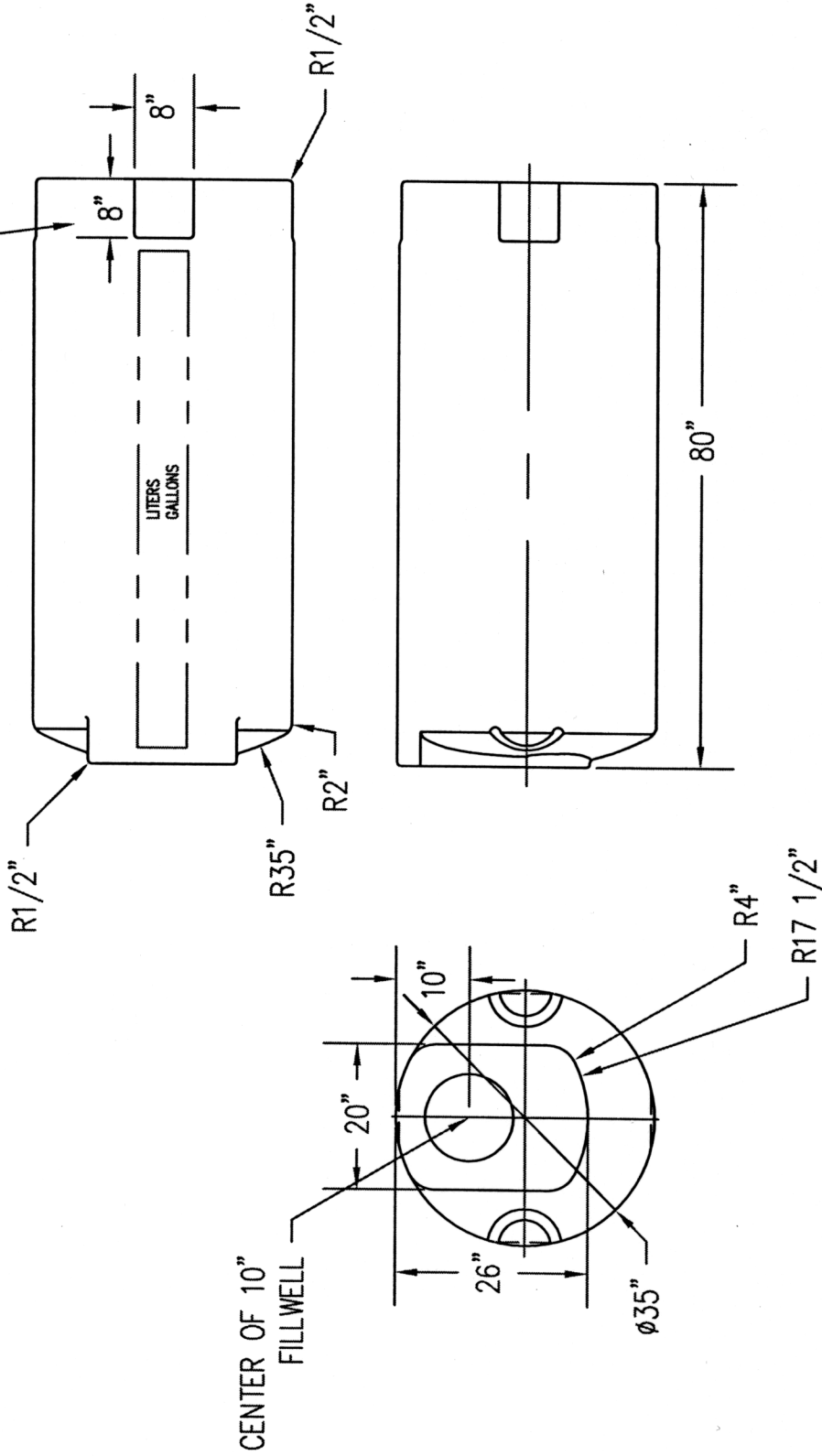


REVISIONS

ZONE	REV	DESCRIPTION	DATE	APPROVED

FOUR FLATS LOCATED AS SHOWN



NORWESCO
ST. BONIFACIUS, MN

300 GALLON VERTICAL
STORAGE TANK

JTP	28JUL03	SIZE	FSCM NO.	DWG NO.	REV
		A		47484	
SCALE 1/24				SHEET	